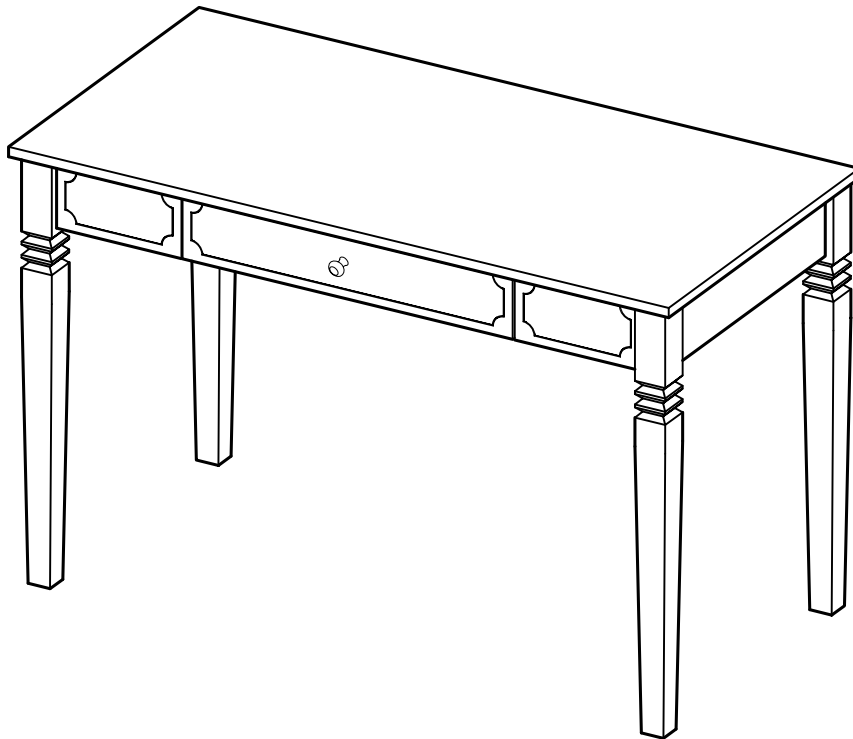


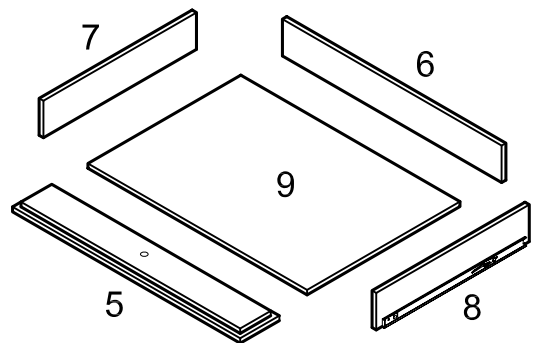
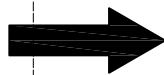
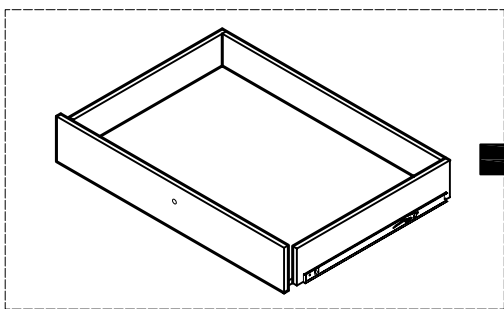
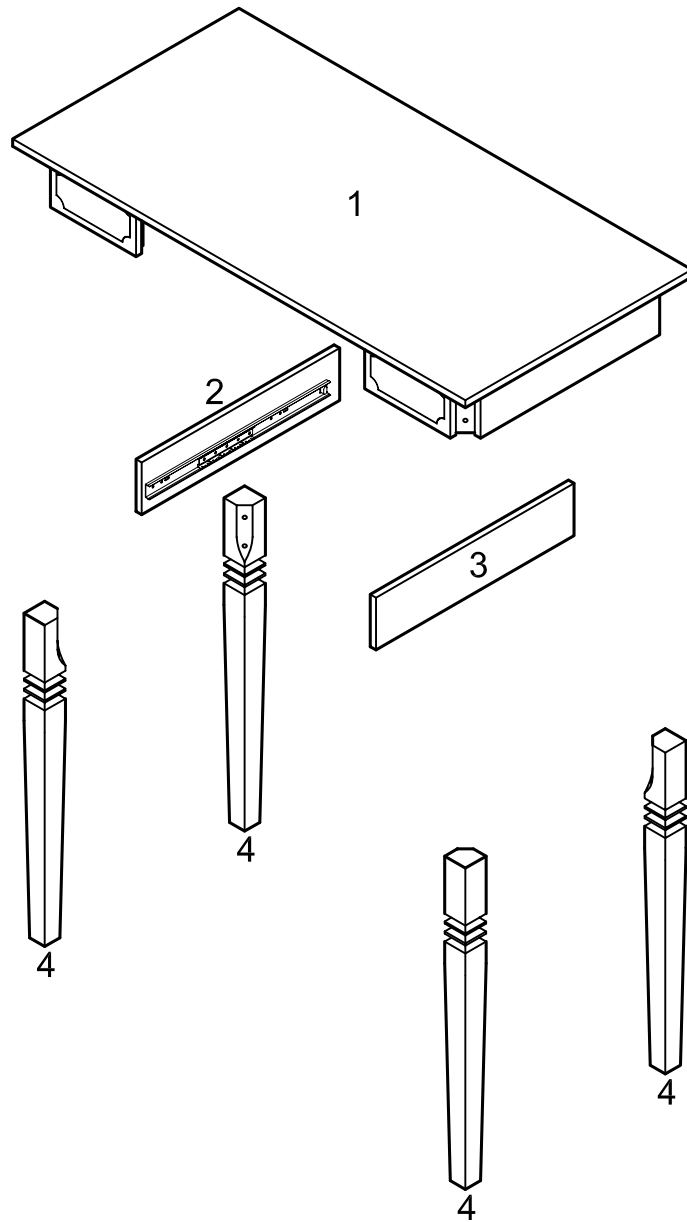


DW48S30 ASSEMBLY INSTRUCTION

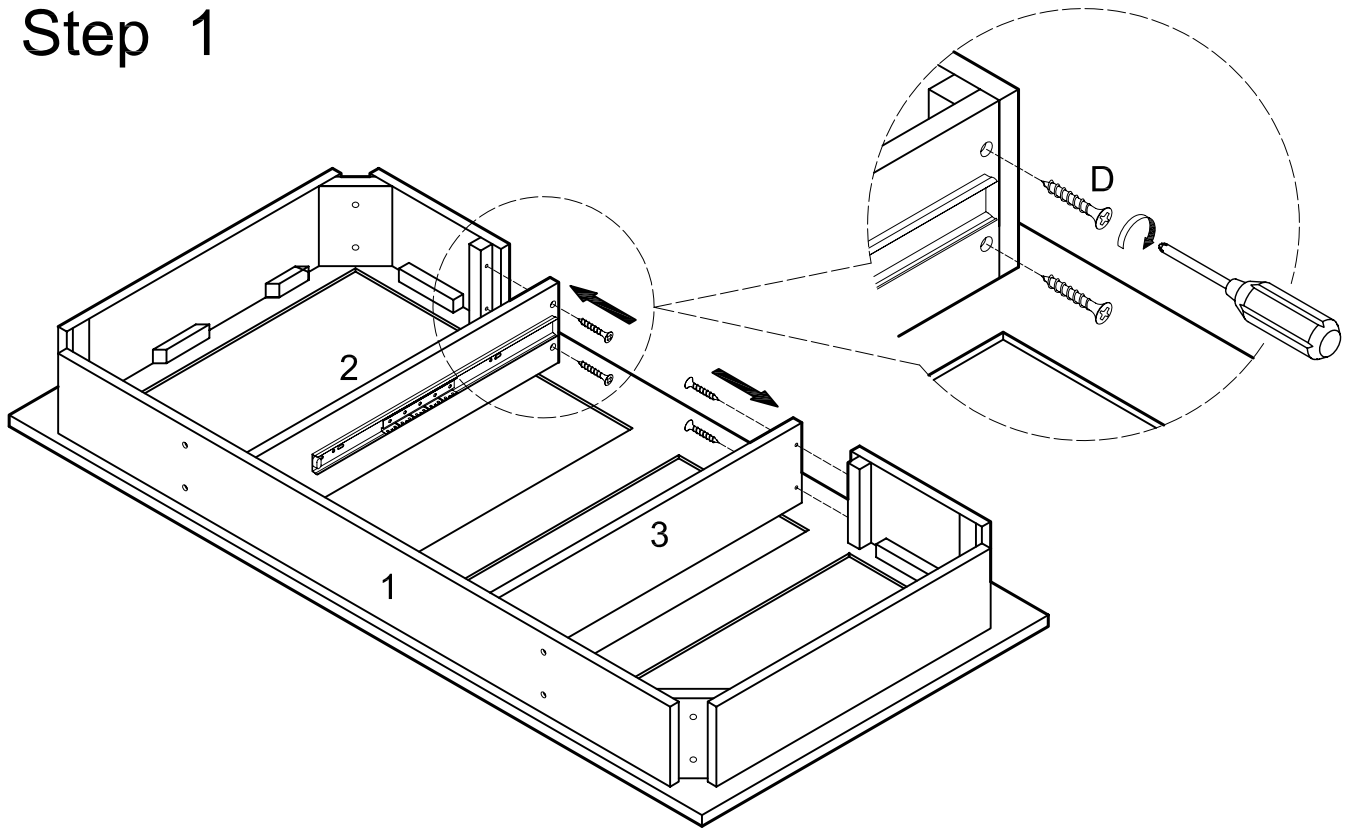


For our most up-to-dated instructions, to request missing, lost, or broken parts, or for any other Customer Service issues, please visit our website at www.walker-edison.com or call us at 877-207-5906.

DW48S30 Parts List

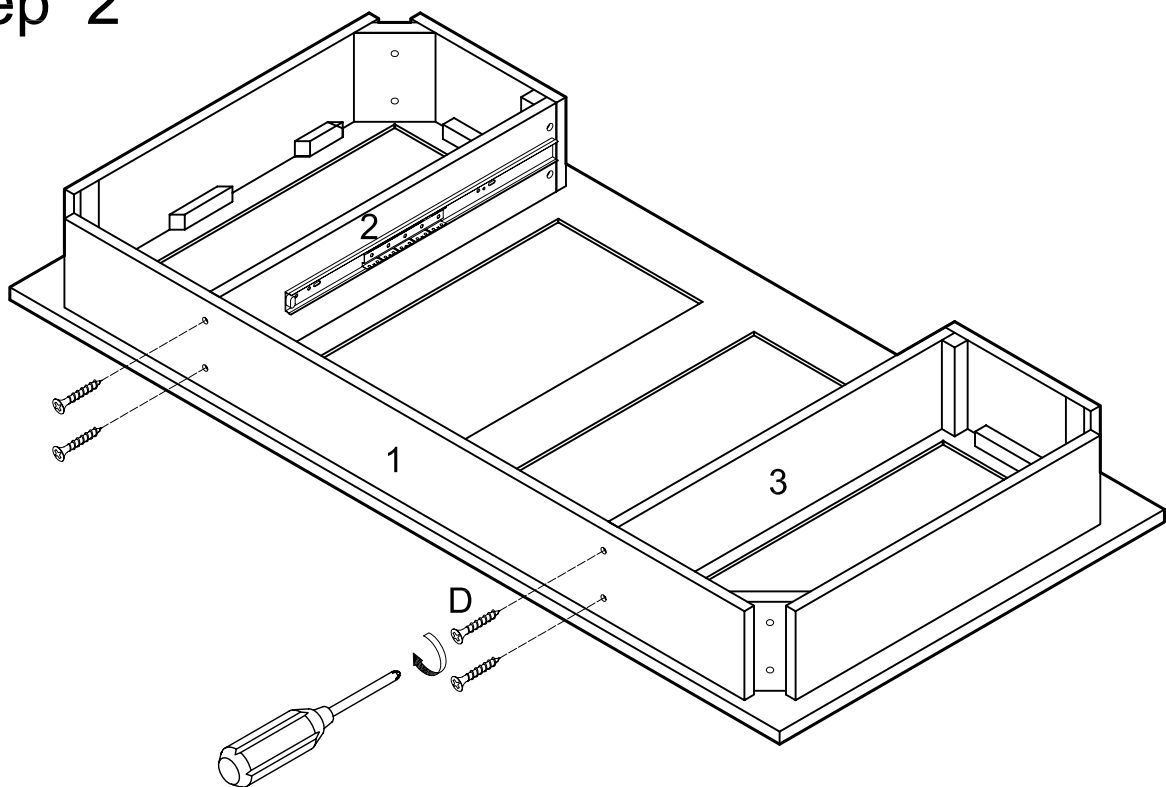


Step 1



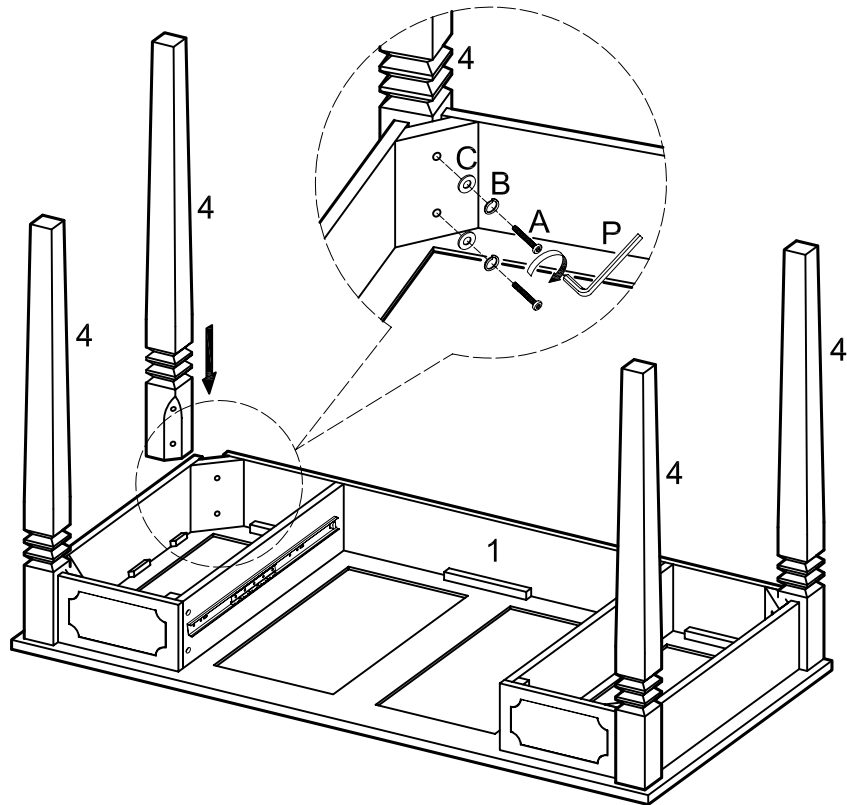
Secure panels (2,3) to the front of top panel (1) using screws (D) as shown in the diagram.

Step 2



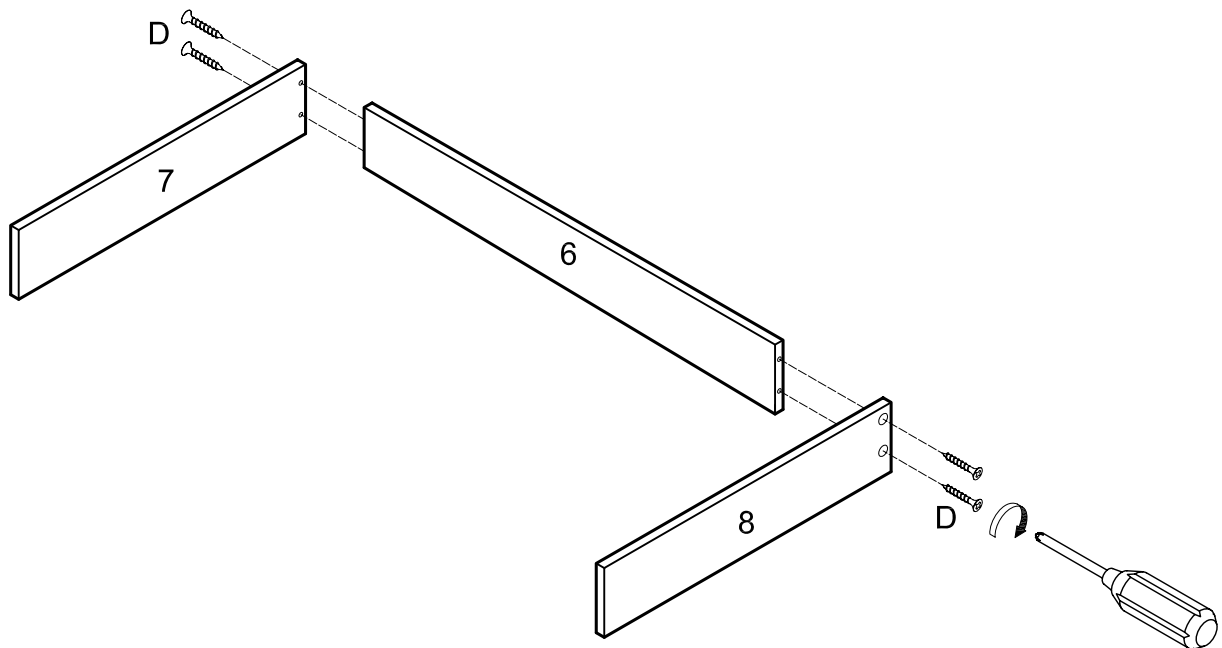
Secure panels (2,3) to the back of top panel (1) using screws (D) as shown in the diagram.

Step 3



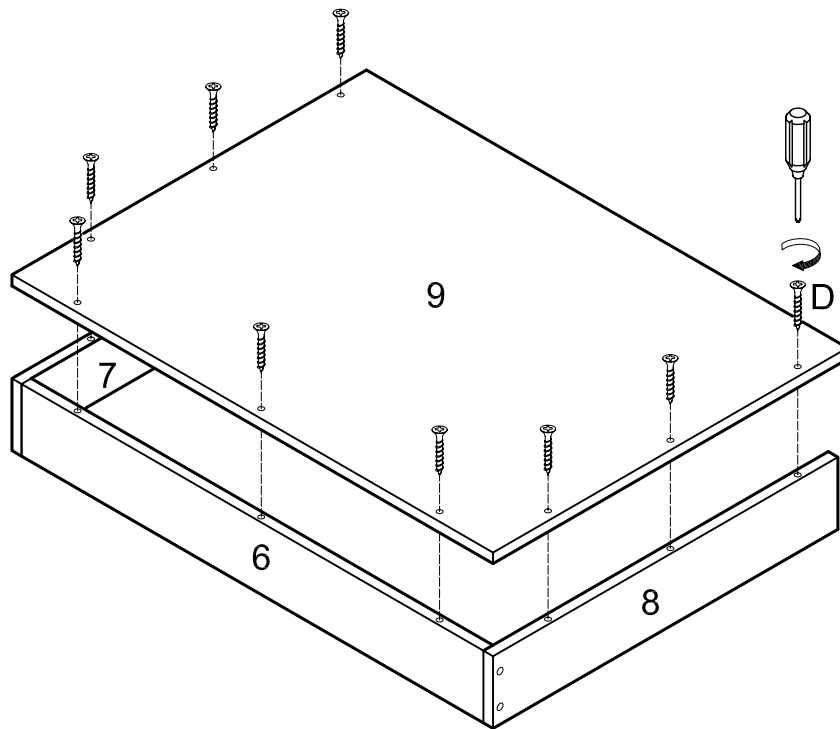
Attach legs (4) to the desk frame using bolts (A), spring washers (B) and washers (C) as shown in the diagram. Be sure to tighten bolts firmly.

Step 4



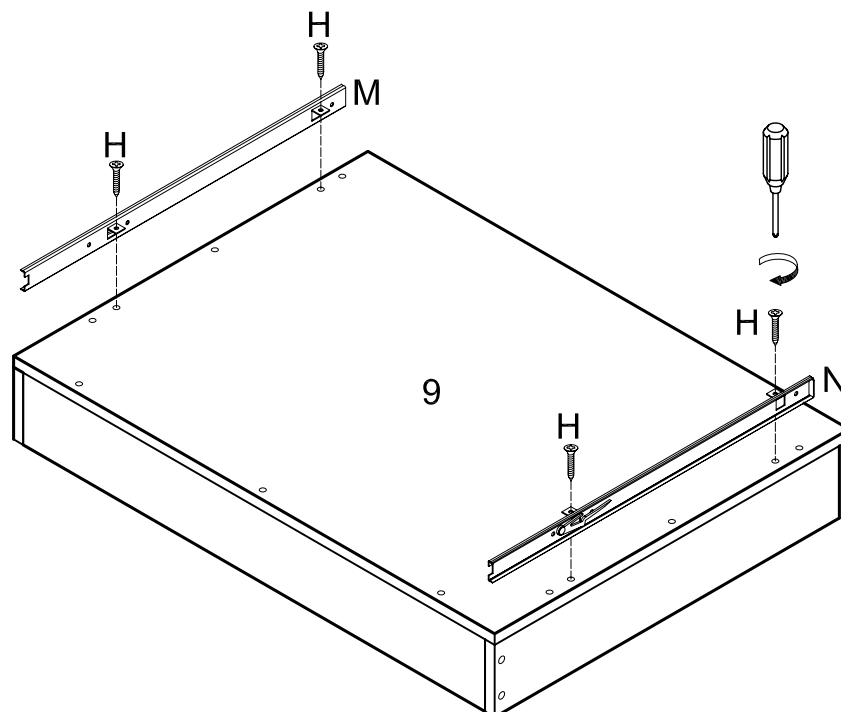
Assemble drawer by attaching side panel (7,8) to back panel (6) using screw (D) as shown in the diagram.

Step 5



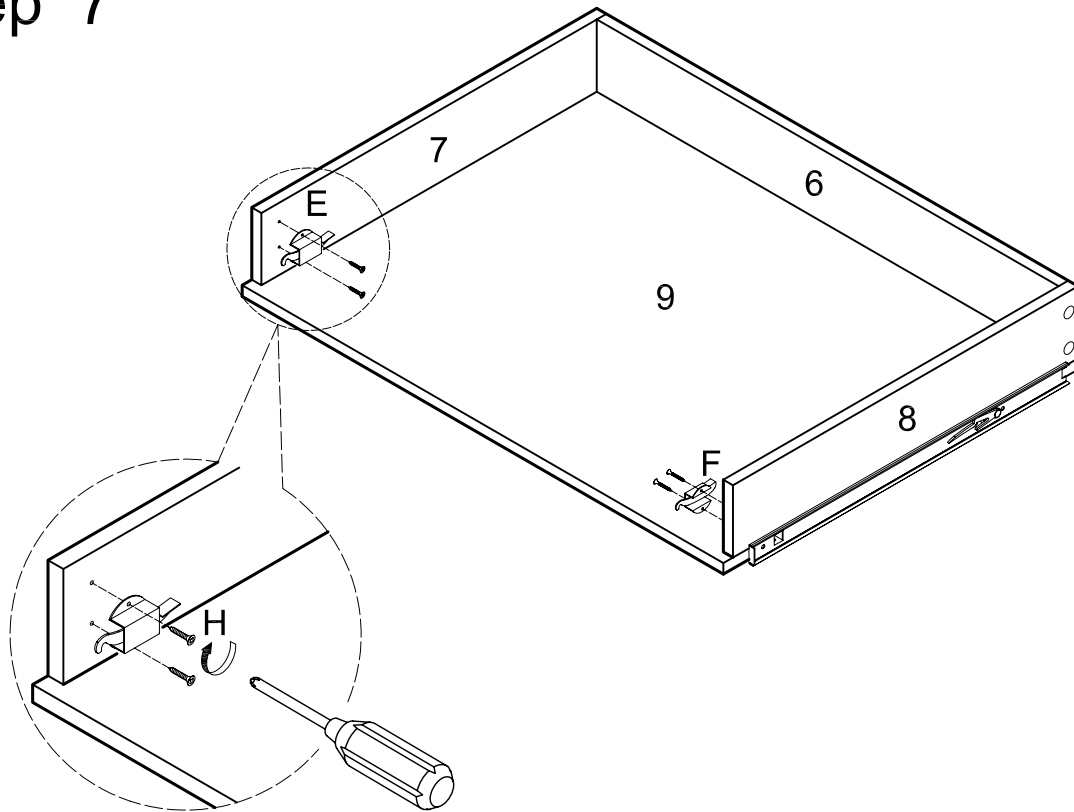
Assemble drawer by attaching back panel (6) and side panels (7,8) to drawer bottom (9) using screws (D) and screw driver as shown in the diagram.

Step 6



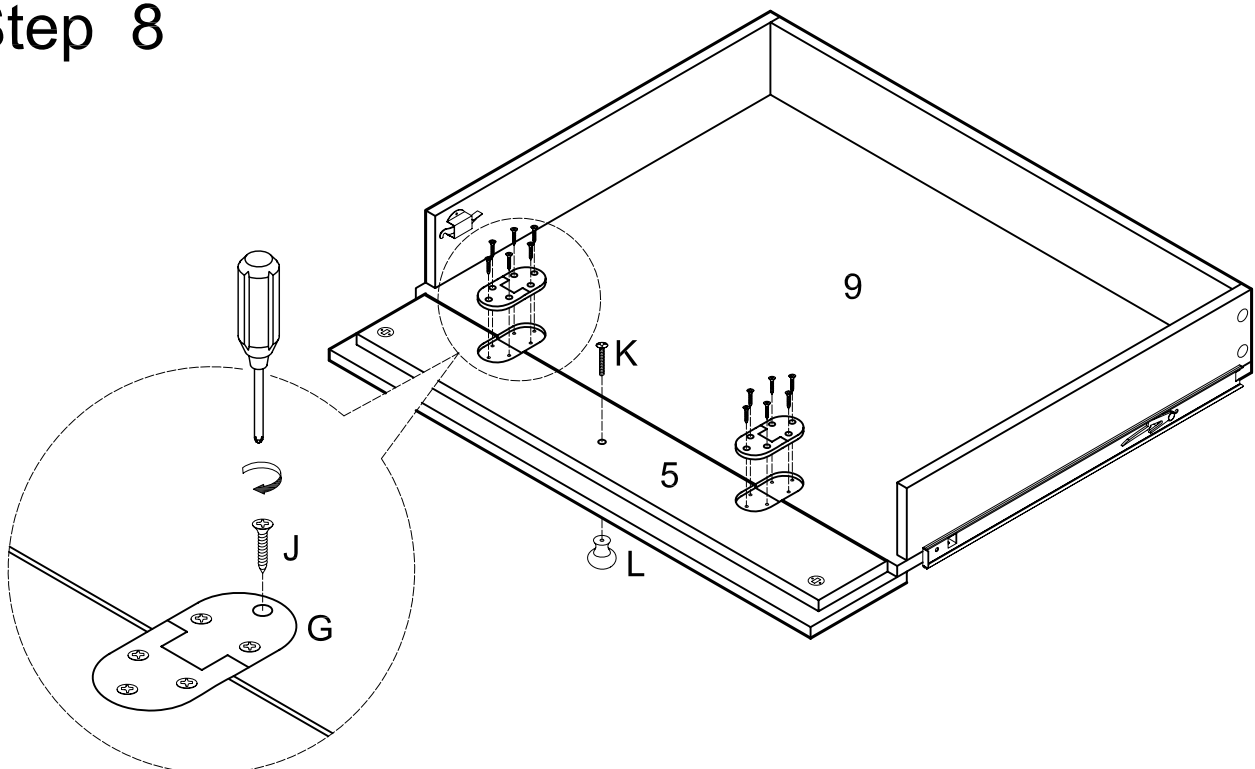
Attach drawer sliders (M,N) to drawer bottom (9) using screws (H) as shown in the diagram.

Step 7



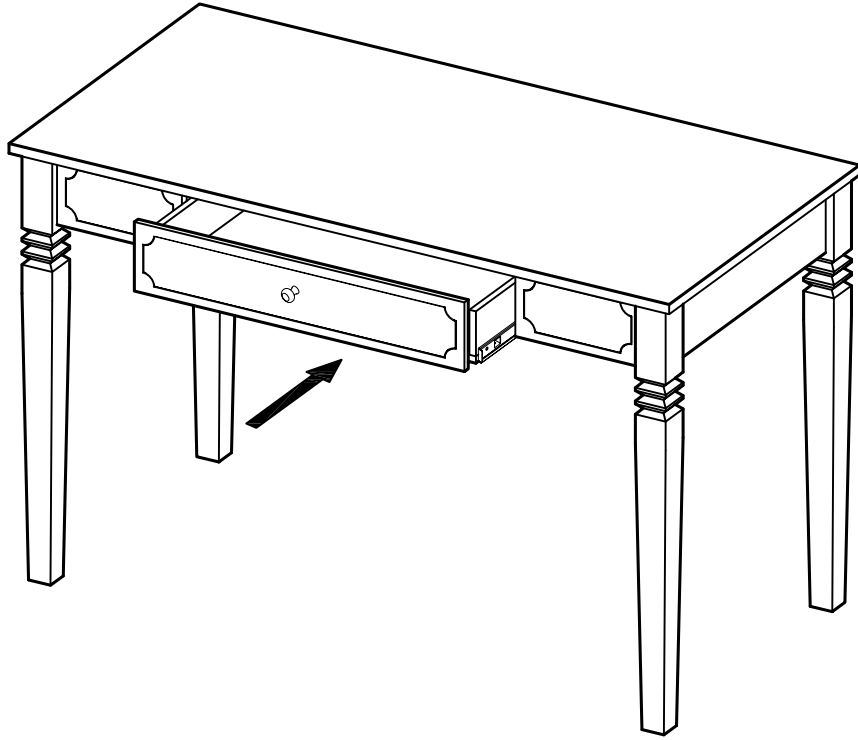
Attach hinge locks (E,F) to the drawer assembly using screws (H) as shown in the diagram.

Step 8



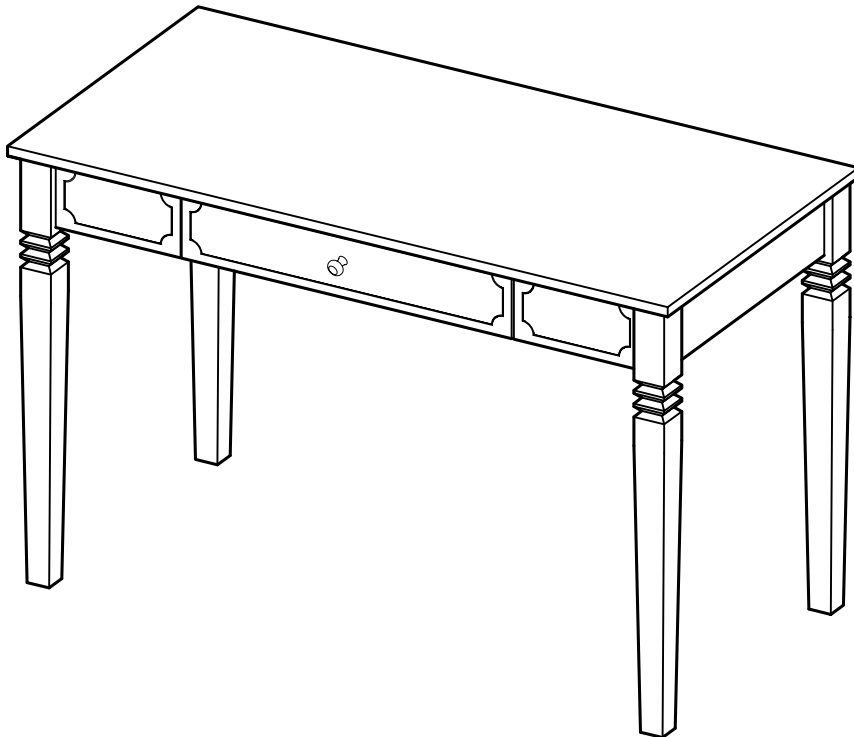
Attach hinges (G) to drawer bottom (9) and drawer front (5) using screws (J) as shown in the diagram.
Attach knob (L) to drawer front (5) using bolt (K) as shown in the diagram.

Step 9



Carefully slide drawer into position on the desk frame.

Step 10



Final Assembly